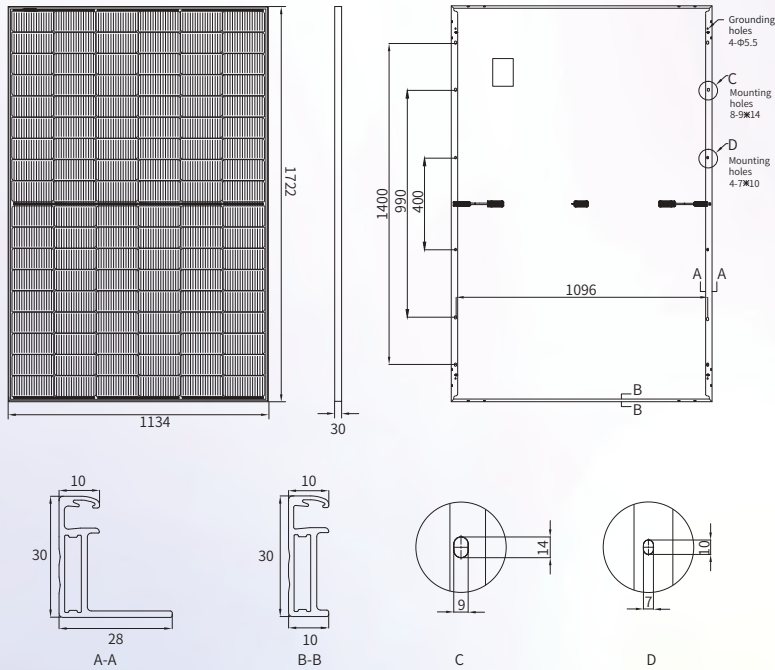


High efficiency N-TOPCon solar module

JNMN108-420~440

ENGINEERING DRAWING



MECHANICAL PARAMETERS

Cell (mm)	182*91 TOPCon
Dimensions (L*W*H) (mm)	1722*1134*30
Weight (kg)	15.5
Cable Cross Section Size (mm ²)	4
No. of Cells & Connections	108(6*18)
No. of Diodes	3
Frame	Anodized Aluminium Alloy
Glass Thickness (mm)	2.0

QUALIFICATION

Temperature Cycling Range (°C)	-40~+85
Max. Series Fuse Rating (A)	25
Max.Wind Load/Max.Snow Load (Pa)	2400/3600
Fire Rating	Class C
Junction Box & Connector Protection Grade	IP68

TEMPERATURE COEFFICIENTS

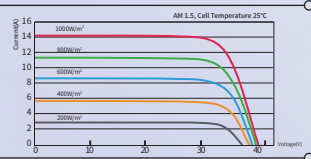
Nominal Module Operating Temperature (NMOT)	43±2°C
Temperature Coefficient Voltage (Voc)	-0.25 %/°C
Temperature Coefficient Current (Isc)	0.045 %/°C
Temperature Coefficient Power (Pm)	-0.29 %/°C

ELECTRICAL PARAMETERS

Module Type	(1500V DC)	JNMN108-420	JNMN108-425	JNMN108-430	JNMN108-435	JNMN108-440
STC AM1.5 1000W/m ² Cell Temperature 25°C	Max. Power at STC (Pmpp/W)	420	425	430	435	440
	Output Tolerance (W)	0-+5	0-+5	0-+5	0-+5	0-+5
	Max. Power Voltage (Vmp/V)	31.68	31.89	32.10	32.31	32.52
	Max. Power Current (Imp/A)	13.26	13.33	13.40	13.47	13.54
	Open Circuit Voltage (Voc/V)	38.22	38.36	38.50	38.64	38.78
	Short Circuit Current (Isc/A)	13.86	13.93	14.06	14.14	14.22
	Module Efficiency (%)	21.51	21.76	22.02	22.28	22.53
NMOT AM1.5 800W/m ² Ambient Temperature 20°C Wind Speed 1m/s	Max. Power (Pmpp/W)	320.4	324.2	328.0	331.9	335.7
	Max. Power Voltage (Vmp/V)	30.20	30.40	30.60	30.80	30.99
	Max. Power Current (Imp/A)	10.61	10.66	10.72	10.78	10.83
	Open Circuit Voltage (Voc/V)	36.32	36.46	36.59	36.72	36.86
	Short Circuit Current (Isc/A)	11.17	11.22	11.33	11.39	11.46

*Measurement tolerance: Pmax: ±3%, Voc: ±3%, Isc: ±5%

I-V CURVE (430W)



PACKING CONFIGURATION

Pieces Per Pallet	36
Pallets Per Container	26
Pieces Per Container	936

DEFAULT

OPTIONAL

Connector Type	<input type="checkbox"/> MC4 Compatible	<input type="checkbox"/> MC4
Cable Length	<input type="checkbox"/> 400mm/300mm	<input type="checkbox"/> Customized
Frame Color	<input type="checkbox"/> Silver	<input type="checkbox"/> Black



TUV: IEC/EN 61215, IEC/EN 61730
 GB/T 19001-2016/ ISO 9001:2015
 GB/T 24001-2016/ ISO 14001:2015
 GB/T 45001-2020/ ISO 45001:2018
 CNAS-CL01: ISO/IEC 17025:2017

12-year Product materials and workmanship quality warranty

Output power		
The 1st year	The 12th year	The 30th year
≥ 99.00%	≥ 94.60%	≥ 87.40%

CAUTION: The electrical parameters in this product datasheet do not refer to only one module. Read safety and installation instructions before using the product. The contents of this specification are for reference only and are subject to change without notice. Jinery reserves the right of final interpretation.
 JNM-20230914-12.1 © 2023 (1) JINNING CLEAN ENERGY TECHNOLOGY LTD. ALL RIGHTS RESERVED.

